

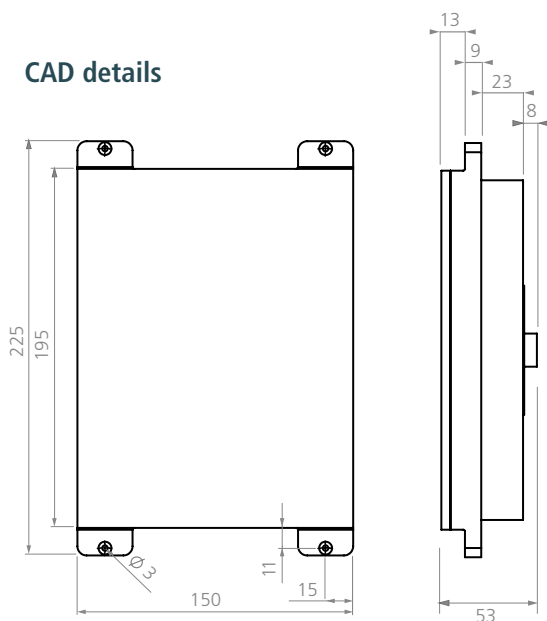


cerasonar 1520 fit

The cerasonar fit series is packaged in a very small form factor, allowing the installation in limited space; its entry level price point makes it particularly indicated for large volumes projects. The installation is extremely straightforward: it is required to make a cutout in the drywall panel, screw the speaker and plaster it over up to 2 mm.



CAD details



Technical specification

Power rating	25 w RMS / 50 w max
Impedance	8 ohms
Driver	1 exciter
Frequency range	100 - 18.000 hz*
Dispersion range	180° x 180° h.v.
max SPL	97 db
Dimensions	15 x 22,5 x 5,3 cm
Installation cut out	19,5 x 15 cm
Installation type	1-layer 12,5 mm plasterboard only
Features	for humid enviroments
Substructure profile spacing	min 20 cm, installation in the middle of the plasterboard to improve the bass response
Weight	0,3 kg



Installation Video:

Scan the QR code with your telephone to show the cerasonar installation video.



Warranty period

Cerasonar grants a 5-year functional warranty on speakers if the installation and setup protocol has been signed and registered with us. A cerasonar protection unit or the cs-500dsp4 amp with the respective preset is mandatory. Improper use or overloading may void the warranty.

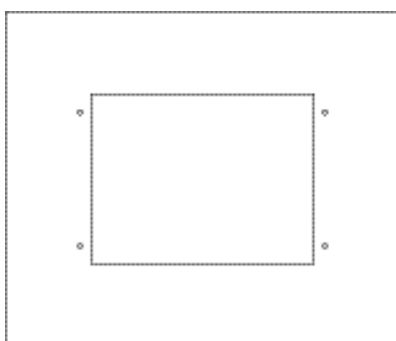
Accessories

cerasonar template

The addition of a cerasonar template helps you to install the system even quicker. We recommend this for projects with larger quantities.

Dimensions

Size	TBD
------	-----

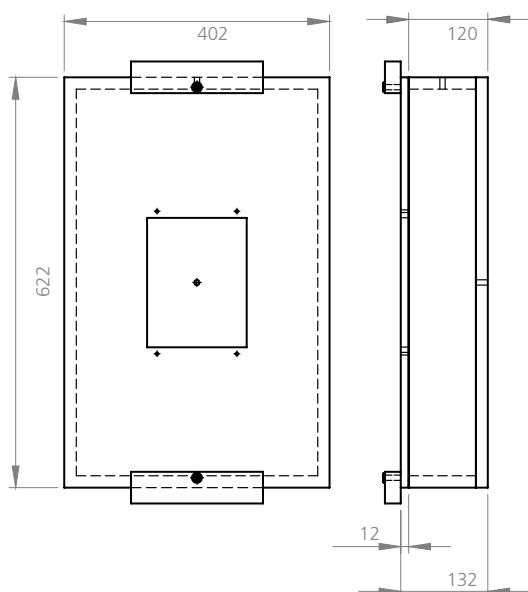


Accessories



cerasonar cs-500dsp4

Amplifiers are an important foundation of any audio system. Our cs-500dsp4 comes with predefined presets for the respective cerasonar speakers, which can be configured with any modern web browser. Our amplifier model becomes the ideal partner for multiroom audio projects, which can be controlled by the system pioneer control4, for example. The cs-500dsp4 has 4 amplifier channels with 125 watts each into 4 and 8 ohms (or 2x 250 watts bridged). The amplifier can also be operated in 70V/100V mode. Up to 2 units fit in 1U (19"). The adapter plates for 19" installation as well as input adapter Phoenix to RCA are included.



cerasonar frame 1520

These frames allow the installation of our invisible loudspeakers into solid wall or ceiling constructions. The frame of plywood is installed into a created niche. The installation material includes the insulating material as a part of the delivered package. Can be used for in situ concrete construction as well.

Dimensions

Size	40,2 x 62,2 x 12 cm
Installation cut out	42,0 x 64,0 x 14 cm
Weight	2,5 kg



cerasonar protection unit 25 w

This protection unit serves as an extended overload protection. We grant a 5-year functional warranty on speakers if the installation and setup protocol has been signed and registered with us. A cerasonar protection unit or the cs-500dsp4 amp with the respective preset is mandatory. Improper use or overloading may void the warranty.

Dimensions

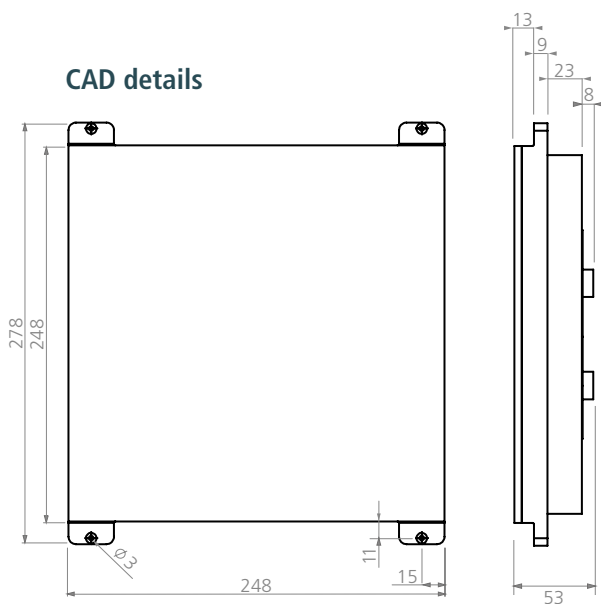
Size	TBD
------	-----

cerasonar 2525 fit

The cerasonar fit series is packaged in a very small form factor, allowing the installation in limited space; its entry level price point makes it particularly indicated for large volumes projects. The installation is extremely straightforward: it is required to make a cutout in the drywall panel, screw the speaker and plaster it over up to 2 mm.



CAD details



Technical specification

Power rating	50 w RMS / 100 W max
Impedance	4 ohms
Driver	RMS / 2 exciters
Frequency range	100 - 18.000 hz*
Dispersion range	180° x 180° h./v.
max SPL	100 db
Dimensions	15 x 22,5 x 5,3 cm
Installation cut out	24,8 x 24,8 cm
Installation type	1-layer 12,5 mm plasterboard only
Features	for humid enviroments, single-stereo mode (1/2power)
Substructure profile spacing	min 30 cm, installation in the middle of the plasterboard to improve the bass response
Weight	0,6 kg



Installation Video:

Scan the QR code with your telephone to show the cerasonar installation video.



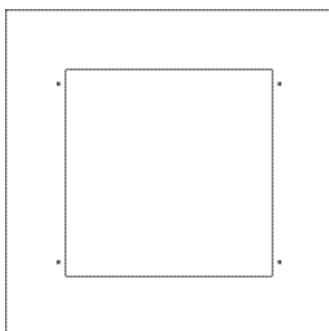
Warranty period

Cerasonar grants a 5-year functional warranty on speakers if the installation and setup protocol has been signed and registered with us. A cerasonar protection unit or the cs-500dsp4 amp with the respective preset is mandatory. Improper use or overloading may void the warranty.

Accessories

cerasonar template

The addition of a cerasonar template helps you to install the system even quicker. We recommend this for projects with larger quantities.



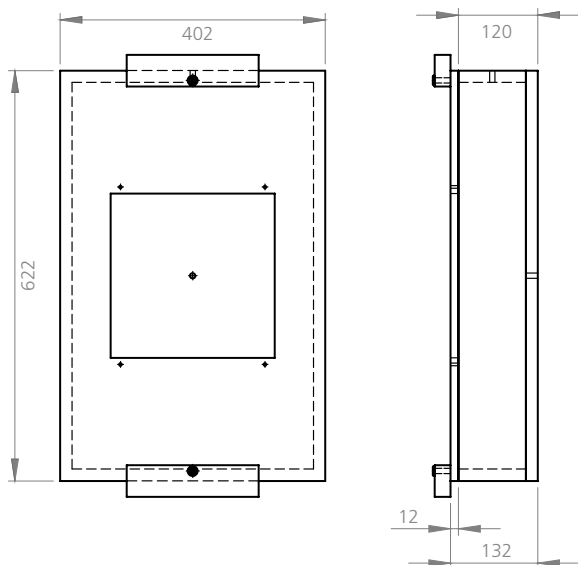
Dimensions

Size	TBD
------	-----



Dimensions

Size	245 x 215 x 45 / (50mm including bumper)
------	--



Accessories

cerasonar cs-500dsp4

Amplifiers are an important foundation of any audio system. Our cs-500dsp4 comes with predefined presets for the respective cerasonar speakers, which can be configured with any modern web browser. Our amplifier model becomes the ideal partner for multiroom audio projects, which can be controlled by the system pioneer control4, for example. The cs-500dsp4 has 4 amplifier channels with 125 watts each into 4 and 8 ohms (or 2x 250 watts bridged). The amplifier can also be operated in 70V/100V mode. Up to 2 units fit in 1U (19"). The adapter plates for 19" installation as well as input adapter Phoenix to RCA are included.

cerasonar frame 2525

These frames allow the installation of our invisible loudspeakers into solid wall or ceiling constructions. The frame of plywood is installed into a created niche. The installation material includes the insulating material as a part of the delivered package. Can be used for in situ concrete construction as well.

Dimensions

Size	40,2 x 62,2 x 12 cm
Installation cut out	42,0 x 64,0 x 14 cm
Weight	2,5 kg



cerasonar protection unit 50w

This protection unit serves as an extended overload protection. For single stereo mode two units are needed. We grant a 5-year functional warranty on speakers if the installation and setup protocol has been signed and registered with us. A cerasonar protection unit or the cs-500dsp4 amp with the respective preset is mandatory. Improper use or overloading may void the warranty.

Dimensions

Size	10,0 x 4,0 x 2,5 cm
------	---------------------

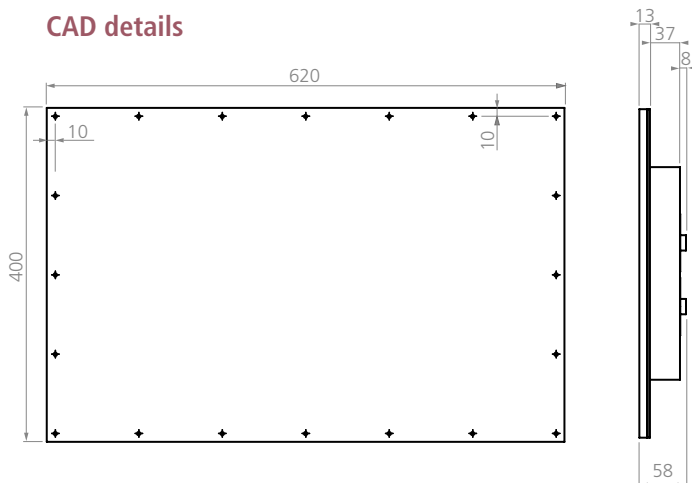


cerasonar 4062 reference

The cerasonar reference series is based on our patent pending Mode Control Correction (MCC) system, which ensures a natural sound due to proper damping of mode interferences. A great step to deliver premium sound quality. The cerasonar reference series panels are designed to be screwed directly on the studs, through the pre-drilled holes in every side, replacing the standard drywall panels and can be plastered up to 2 mm.



CAD details



Technical specification

Power rating	50 w RMS / 100 w max
Impedance	4 ohms / 2x 8 ohms
Frequency range	70 - 18.000 hz*
Dispersion range	180° x 180° h./v.
max SPL	105 db
Dimensions	40 x 62 x 5,8 cm
Installation cut out	30 x 52 cm
Drywall	1- or 2-layer 12,5 mm plasterboard
Features	single stereo mode(1/2 power), high SPL
Weight	1,2 kg



Installation Video:

Scan the QR code with your telephone to show the cerasonar installation video.



Warranty period

Cerasonar grants a 5-year functional warranty on speakers if the installation and setup protocol has been signed and registered with us. A cerasonar protection unit or the cs-500dsp4 amp with the respective preset is mandatory. Improper use or overloading may void the warranty.

Accessories

cerasonar cs-500dsp4

Amplifiers are an important foundation of any audio system. Our cs-500dsp4 comes with predefined presets for the respective cerasonar speakers, which can be configured with any modern web browser. Our amplifier model becomes the ideal partner for multiroom audio projects, which can be controlled by the system pioneer control4, for example. The cs-500dsp4 has 4 amplifier channels with 125 watts each into 4 and 8 ohms (or 2x 250 watts bridged). The amplifier can also be operated in 70V/100V mode. Up to 2 units fit in 1U (19"). The adapter plates for 19" installation as well as input adapter Phoenix to RCA are included.



Dimensions

Size 245 x 215 x 45 / (50mm including bumper)



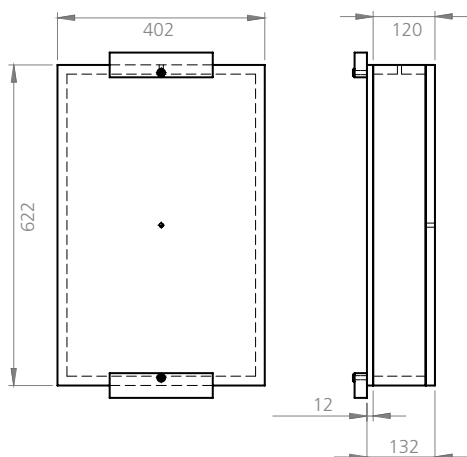
Accessories

cerasonar protection unit pro 25 w / 50 w / 100 w

This protection unit serves as an extended overload protection that also reacts to fast impulses. The pro version is suitable for the reference series. For single stereo mode two units are needed. We grant a 5-year functional warranty on speakers if the installation and setup protocol has been signed and registered with us. A cerasonar protection unit or the cs-500dsp4 amp with the respective preset is mandatory. Improper use or overloading may void the warranty.

Dimensions

Size	20,0 x 9,1 x 4,9 cm
Jumper settings for protection	25 w (F1 and F4) - 50/100 w (F3 and F6)

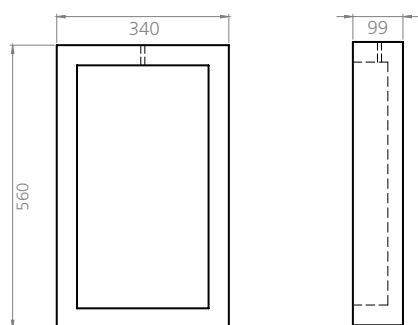


cerasonar frame 4062

These frames allow the installation of our invisible loudspeakers into solid wall or ceiling constructions. The frame of plywood is installed into a created niche. The installation material includes the insulating material as a part of the delivered package. Can be used for in situ concrete construction as well.

Dimensions

Size	40,2 x 62,2 x 12 cm
Installation cut out	42,0 x 64,0 x 14 cm
Weight	2,5 kg

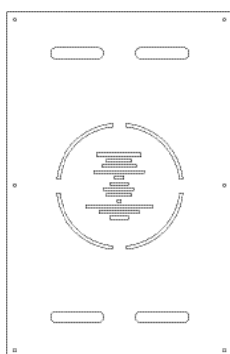


cerasonar backbox 4062

The backbox, which is mounted on the back of the respective cerasonar panel, serves to reduce noise emissions in neighbouring rooms. The rear sound is decelerated by a sophisticated damping system and compression effects reduced. It is screwed to the back of the speaker panel.

Dimensions

Size	34,0 x 56,0 x 9,9 cm
Delivery includes	template and screws



cerasonar placeholder 4062

The cerasonar placeholder is ideal for new buildings where the position of the loudspeaker should already be indicated before installation. The placeholders are slightly larger, so that the installation of the loudspeakers works smoothly.

Dimensions

Size	40,2 x 62,2 x 0,6 cm
------	----------------------

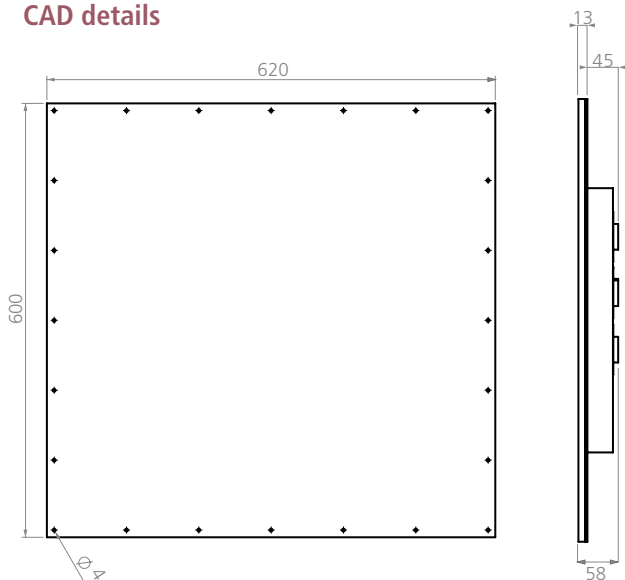


cerasonar 6062 reference

The cerasonar reference series is based on our patent pending Mode Control Correction (MCC) system, which ensures a natural sound due to proper damping of mode interferences. A great step to deliver premium sound quality. The cerasonar reference series panels are designed to be screwed directly on the studs, through the pre-drilled holes in every side, replacing the standard drywall panels and can be plastered up to 2 mm.



CAD details



Technical specification

Power rating	100 w RMS / 200 w max
Impedance	8 ohms / 2x 4 ohms
Frequency range	60 - 18.000 hz*
Dispersion range	180° x 180° h.v.
max SPL	108 db
Dimensions	60 x 62 x 5,8 cm
Installation cut out	50 x 52 cm
Drywall	1- or 2-layer 12,5 mm plasterboard only
Features	single stereo mode(1/2 power),high SPL
Weight	2,1 kg



Installation Video:

Scan the QR code with your telephone to show the cerasonar installation video.



Warranty period

Cerasonar grants a 5-year functional warranty on speakers if the installation and setup protocol has been signed and registered with us. A cerasonar protection unit or the cs-500dsp4 amp with the respective preset is mandatory. Improper use or overloading may void the warranty.

Accessories

cerasonar cs-500dsp4

Amplifiers are an important foundation of any audio system. Our cs-500dsp4 comes with predefined presets for the respective cerasonar speakers, which can be configured with any modern web browser. Our amplifier model becomes the ideal partner for multiroom audio projects, which can be controlled by the system pioneer control4, for example. The cs-500dsp4 has 4 amplifier channels with 125 watts each into 4 and 8 ohms (or 2x 250 watts bridged). The amplifier can also be operated in 70V/100V mode. Up to 2 units fit in 1U (19"). The adapter plates for 19" installation as well as input adapter Phoenix to RCA are included.



Dimensions

Size	245 x 215 x 45 / (50mm including bumper)
------	--



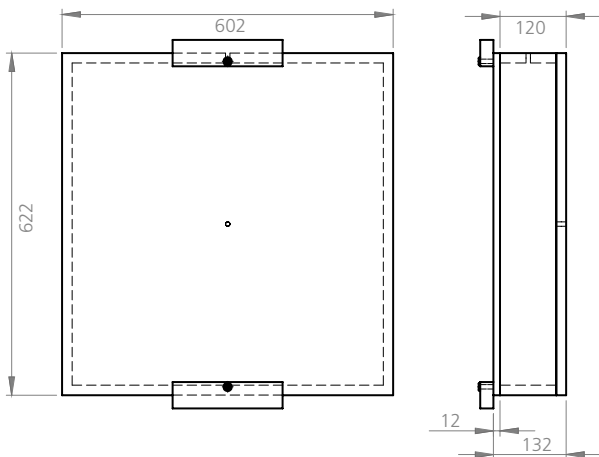
Accessories

cerasonar protection unit pro 25 w / 50 w / 100 w

This protection unit serves as an extended overload protection that also reacts to fast impulses. The pro version is suitable for the reference series. For single stereo mode two units are needed. We grant a 5-year functional warranty on speakers if the installation and setup protocol has been signed and registered with us. A cerasonar protection unit or the cs-500dsp4 amp with the respective preset is mandatory. Improper use or overloading may void the warranty.

Dimensions

Size	20,0 x 9,1 x 4,9 cm
Jumper settings for protection	25 w (F1 and F4) - 50/100 w (F3 and F6)

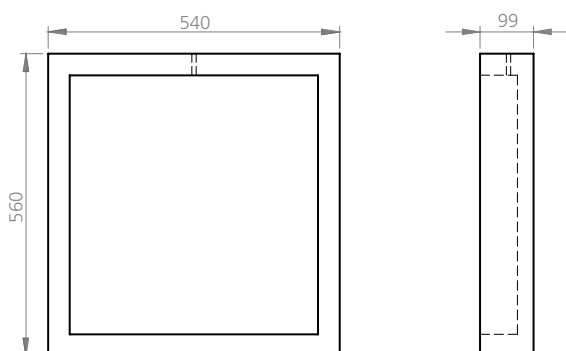


cerasonar frame 6062

These frames allow the installation of our invisible loudspeakers into solid wall or ceiling constructions. The frame of plywood is installed into a created niche. The installation material includes the insulating material as a part of the delivered package. Can be used for in situ concrete construction as well.

Dimensions

Size	60,2 x 62,2 x 12 cm
Installation cut out	62,0 x 64,0 x 14 cm
Weight	3,7 kg

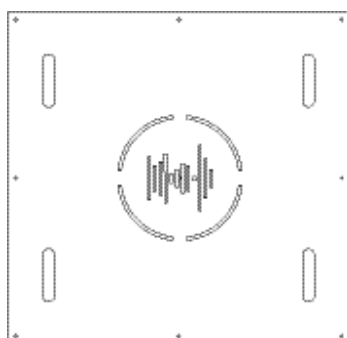


cerasonar backbox 6062

The backbox, which is mounted on the back of the respective cerasonar panel, serves to reduce noise emissions in neighbouring rooms. The rear sound is decelerated by a sophisticated damping system and compression effects reduced. It is screwed to the back of the speaker panel.

Dimensions

Size	54,0 x 56,0 x 9,9 cm
Delivery includes	template and screws



cerasonar placeholder 6062

The cerasonar placeholder is ideal for new buildings where the position of the loudspeaker should already be indicated before installation. The placeholders are slightly larger, so that the installation of the loudspeakers works smoothly.

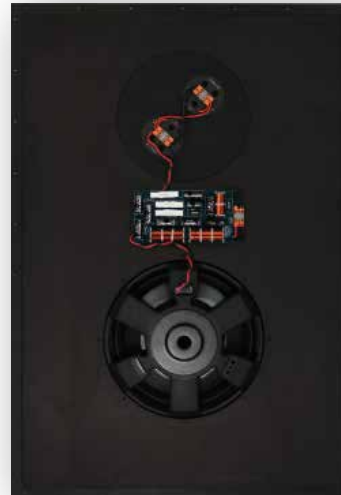
Dimensions

Size	60,2 x 62,2 x 0,6 cm
------	----------------------

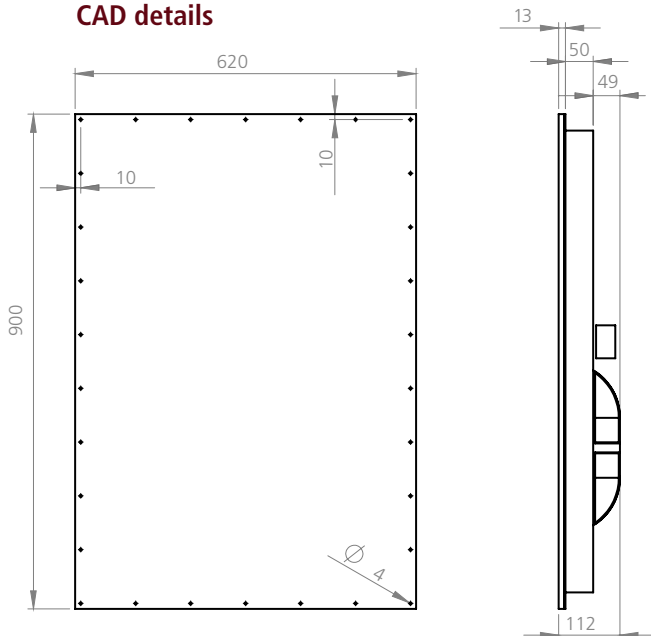


cerasonar 9062 ultimate

The cerasonar ultimate is a fullrange panel, it includes a 12" bass driver. It can be connected to any standard amplifier without the need of a protection unit or additional sub. The cerasonar ultimate series panels are designed to be screwed directly on the studs, through the pre-drilled holes in every side, replacing the standard drywall panels and can be plastered up to 2 mm.



CAD details



Technical specification

Power rating	100 w RMS / 200 w max
Impedance	4 ohms
Frequency range	1 bass driver, 2 exciters
Dispersion range	30 - 18.000 hz*
max SPL	180° x 180°
Dimensions	105 db
Installation cut out	84,5 x 56,5 cm
Drywall	1- or 2-layer 12,5 mm plasterboard
Features	protection inbuilt
Weight	9,5 kg

* depending on the installation situation. We recommend min. 100 litres installation volume!



Installation Video:

Scan the QR code with your telephone to show the cerasonar installation video.



Warranty period

Cerasonar grants a 5-year functional warranty on speakers if the installation and setup protocol has been signed and registered with us. A cerasonar protection unit or the cs-500dsp4 amp with the respective preset is mandatory. Improper use or overloading may void the warranty.

Accessories

cerasonar cs-500dsp4

Amplifiers are an important foundation of any audio system. Our cs-500dsp4 comes with predefined presets for the respective cerasonar speakers, which can be configured with any modern web browser. Our amplifier model becomes the ideal partner for multiroom audio projects, which can be controlled by the system pioneer control4, for example. The cs-500dsp4 has 4 amplifier channels with 125 watts each into 4 and 8 ohms (or 2x 250 watts bridged). The amplifier can also be operated in 70V/100V mode. Up to 2 units fit in 1U (19"). The adapter plates for 19" installation as well as input adapter Phoenix to RCA are included.

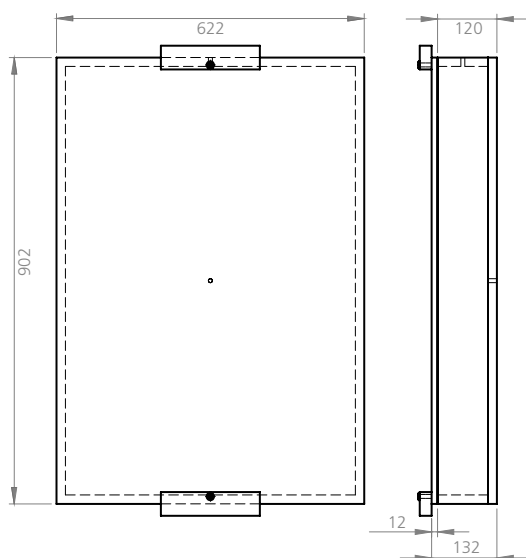


Dimensions

Size 245 x 215 x 45 / (50mm including bumper)



Accessories

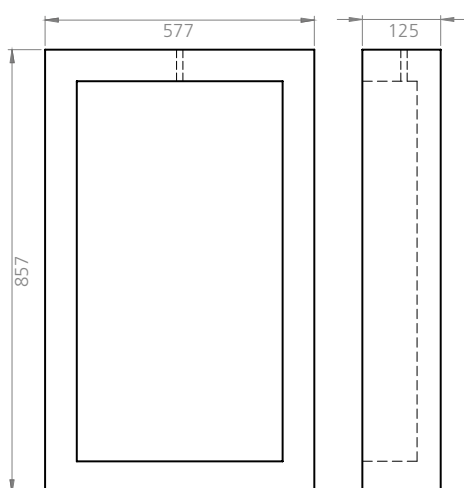


cerasonar frame 9062

These frames allow the installation of our invisible loudspeakers into solid wall or ceiling constructions. The frame of plywood is installed into a created niche. The installation material includes the insulating material as a part of the delivered package. Can be used for in situ concrete construction as well.

Dimensions

Size	90,2 x 62,2 x 12 cm
Installation cut out	92,0 x 64,0 x 14 cm
Weight	5,5 kg

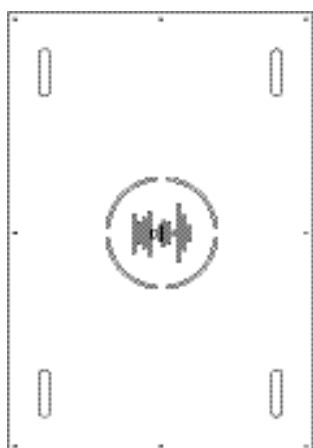


cerasonar backbox 9062

The backbox, which is mounted on the back of the respective cerasonar panel, serves to reduce noise emissions in neighbouring rooms. The rear sound is decelerated by a sophisticated damping system and compression effects reduced. It is screwed to the back of the speaker panel.

Dimensions

Size	85,7 x 57,7 x 12,5 cm
Delivery includes	template and screws



cerasonar placeholder 9062

The cerasonar placeholder is ideal for new buildings where the position of the loudspeaker should already be indicated before installation. The placeholders are slightly larger, so that the installation of the loudspeakers works smoothly.

Dimensions

Size	90,2 x 62,2 x 0,6 cm
------	----------------------

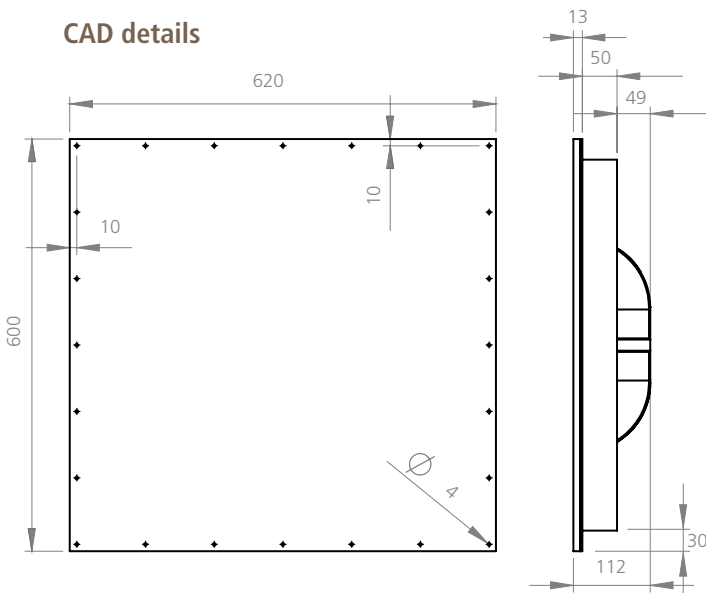


cerasonar 6062 sub

The cerasonar 6062 sub can be easily installed in ceiling and walls, and is conceived to provide an extra bass kick for every invisible multiroom music projects. To be screwed directly on the studs, through the predrilled holes in every side, replacing the standard.



CAD details



Technical specification

Power rating	120 w RMS / 240 w max
Impedance	4 ohms
Frequency range	30 – 150 hz
Dispersion range	hemispherical
max SPL	107 db
Dimensions	60 x 62 x 11,2 cm
Installation cut out	54,5 x 56,5 cm
Drywall	1- or 2-layer 12,5 mm plasterboard
Weight	7 kg

* depending on the installation situation. We recommend min. 100 litres installation volume!

Installation Video:

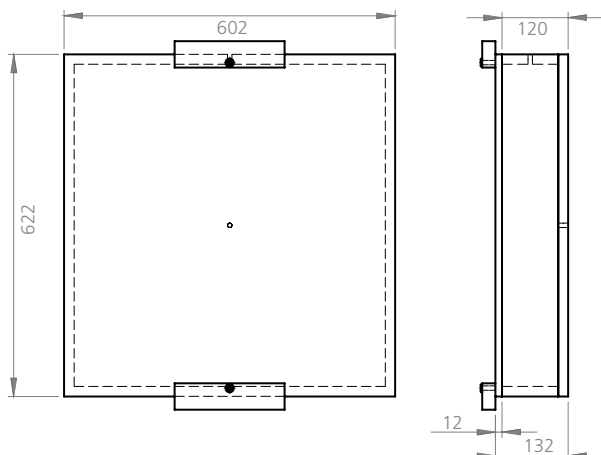


Scan the QR code with your telephone to show the cerasonar installation video.

Warranty period

Cerasonar grants a 5-year functional warranty on speakers if the installation and setup protocol has been signed and registered with us. A cerasonar protection unit or the cs-500dsp4 amp with the respective preset is mandatory. Improper use or overloading may void the warranty.





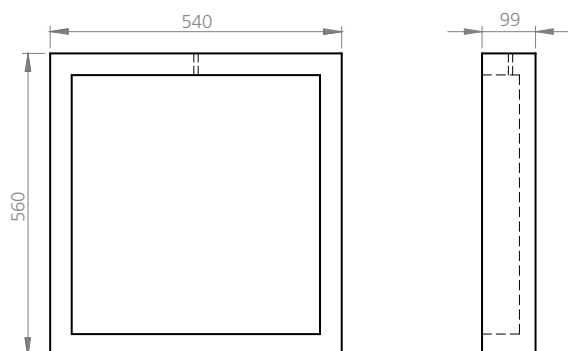
Accessories

cerasonar frame 6062

These frames allow the installation of our invisible loudspeakers into solid wall or ceiling constructions. The frame of plywood is installed into a created niche. The installation material includes the insulating material as a part of the delivered package. Can be used for in situ concrete construction as well.

Dimensions

Size	60,2 x 62,2 x 12 cm
Installation cut out	62,0 x 64,0 x 14 cm
Weight	3,7 kg

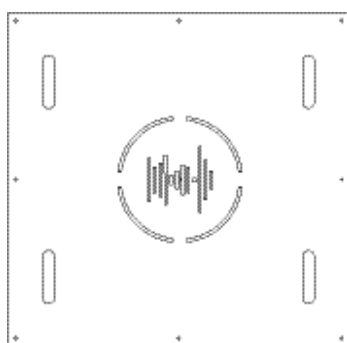


cerasonar backbox 6062

The backbox, which is mounted on the back of the respective cerasonar panel, serves to reduce noise emissions in neighbouring rooms. The rear sound is decelerated by a sophisticated damping system and compression effects reduced. It is screwed to the back of the speaker panel.

Dimensions

Size	54,0 x 56,0 x 9,9 cm
Delivery includes	template and screws



cerasonar placeholder 6062

The cerasonar placeholder is ideal for new buildings where the position of the loudspeaker should already be indicated before installation. The placeholders are slightly larger, so that the installation of the loudspeakers works smoothly.

Dimensions

Size	60,2 x 62,2 x 0,6 cm
------	----------------------



cerasonar cs-500dsp4

Amplifiers are an important foundation of any audio system. Our cs-500dsp4 comes with predefined presets for the respective cerasonar speakers, which can be configured with any modern web browser. Our amplifier model becomes the ideal partner for multiroom audio projects, which can be controlled by the system pioneer control4, for example. The cs-500dsp4 has 4 amplifier channels with 125 watts each into 4 and 8 ohms (or 2x 250 watts bridged). The amplifier can also be operated in 70V/100V mode. Up to 2 units fit in 1U (19"). The adapter plates for 19" installation as well as input adapter Phoenix to RCA are included.

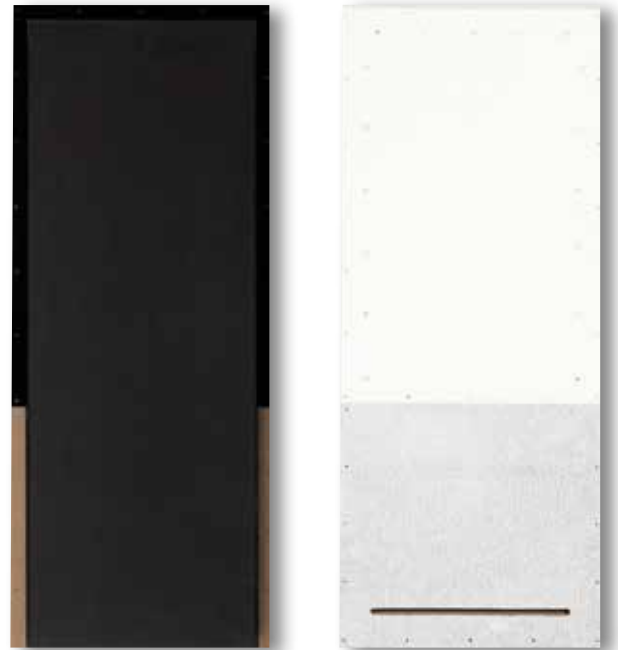
Dimensions

Size	245 x 215 x 45 / (50mm including bumper)
------	--

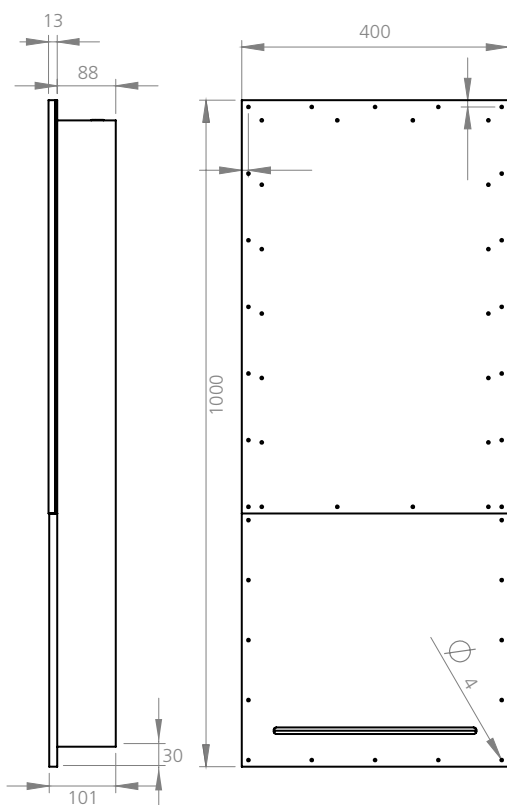


cerasonar 10040 sub

The cerasonar subwoofers are the natural complement of our speakers. The cerasonar 10040 sub are the ideal choice for bass demanding applications like home cinema. They have an integrated backbox to ensure consistent quality in every installation situation. To be screwed directly on the studs, through the pre-drilled holes in every side, replacing the standard drywall panels and can be plastered up to 2 mm.



CAD details



Technical specification

Power rating	150 w RMS / 300 w max
Impedance	4 ohms
Frequency range	35 – 150 hz
Dispersion range	hemispherical
max SPL	108 db
Dimensions	100 x 40 x 10,1 cm / vent: 10 x 304 mm
Installation cut out	95,5 x 34,5 cm
Drywall	1- or 2-layer 12,5 mm plasterboard
Features	WAGO connector
Weight	10 kg

Installation Video:

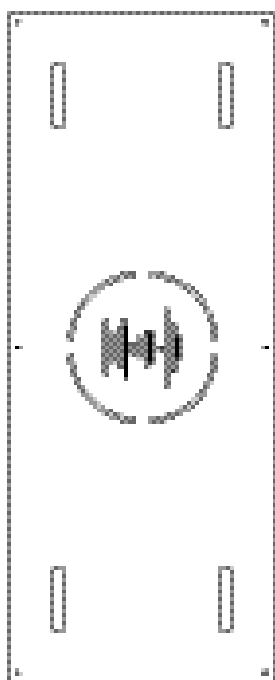
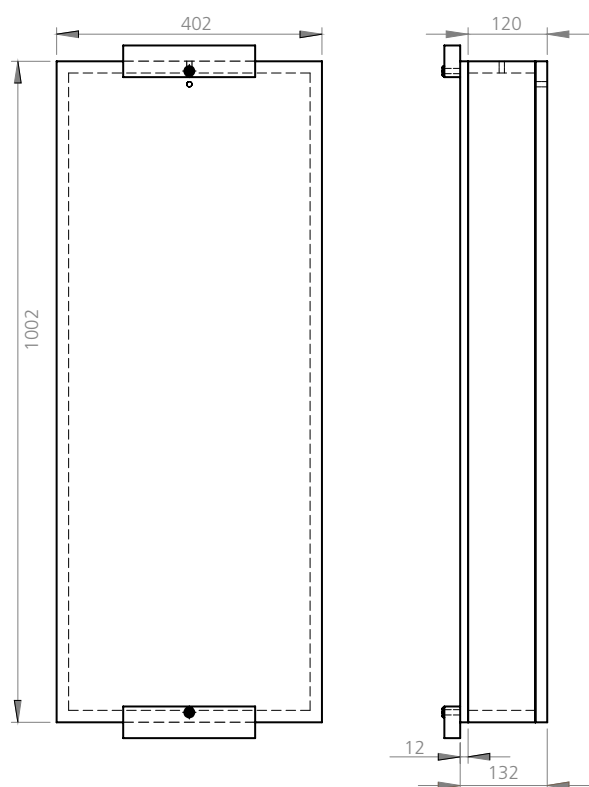
Scan the QR code with your telephone to show the cerasonar installation video.



Warranty period

Cerasonar grants a 5-year functional warranty on speakers if the installation and setup protocol has been signed and registered with us. A cerasonar protection unit or the cs-500dsp4 amp with the respective preset is mandatory. Improper use or overloading may void the warranty.





Dimensions

Size	245 x 215 x 45 / (50mm including bumper)
------	--

Accessories

cerasonar frame 10040

These frames allow the installation of our invisible loudspeakers into solid wall or ceiling constructions. The frame of plywood is installed into a created niche. The installation material includes the insulating material as a part of the delivered package. Can be used for in situ concrete construction as well.

Dimensions

Size	100,2 x 40,2 x 12 cm
Installation cut out	102,0 x 42 x 14 cm
Weight	4,0 kg

cerasonar placeholder 10040

The cerasonar placeholder is ideal for new buildings where the position of the loudspeaker should already be indicated before installation. The placeholders are slightly larger, so that the installation of the loudspeakers works smoothly.

Dimensions

Size	100,4 x 40,2 x 0,6 cm
------	-----------------------

cerasonar cs-500dsp4

Amplifiers are an important foundation of any audio system. Our cs-500dsp4 comes with predefined presets for the respective cerasonar speakers, which can be configured with any modern web browser. Our amplifier model becomes the ideal partner for multiroom audio projects, which can be controlled by the system pioneer control4, for example. The cs-500dsp4 has 4 amplifier channels with 125 watts each into 4 and 8 ohms (or 2x 250 watts bridged). The amplifier can also be operated in 70V/100V mode. Up to 2 units fit in 1U (19"). The adapter plates for 19" installation as well as input adapter Phoenix to RCA are included.

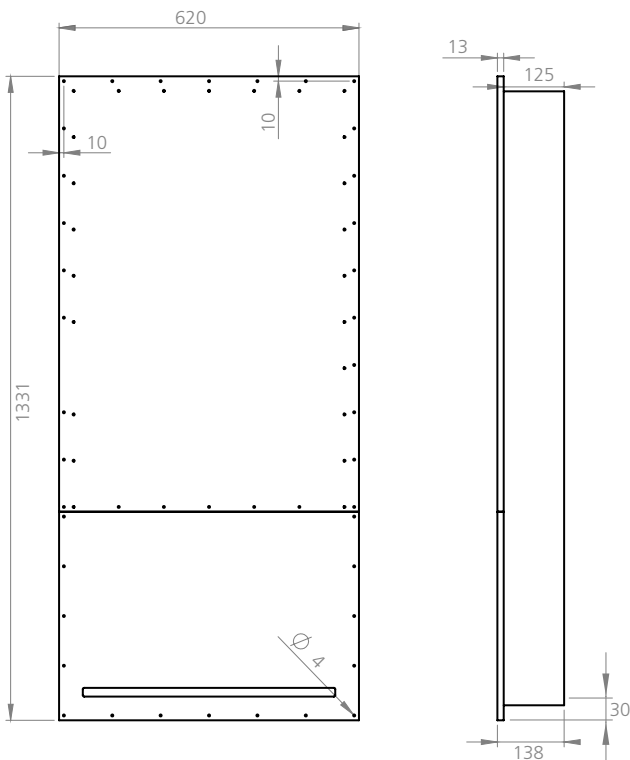


cerasonar 13362 sub

The cerasonar subwoofers are the natural complement of our speakers. The cerasonar 13362 sub are the ideal choice for bass demanding applications like home cinema. They have an integrated backbox to ensure consistent quality in every installation situation. To be screwed directly on the studs, through the pre-drilled holes in every side, replacing the standard drywall panels and can be plastered up to 2 mm.



CAD details



Technical specification

Power rating	250 w RMS / 500 w max
Impedance	4 ohms
Frequency range	25 – 150 hz
Dispersion range	hemispherical
max SPL	111 db
Dimensions	133 x 62 x 12,5 cm vent: 18 x 522 mm
Installation cut out	127,5 x 56,5 cm
Drywall	1- or 2-layer 12,5 mm plasterboard
Features	WAGO connector
Weight	25 kg

Installation Video:

Scan the QR code with your telephone to show the cerasonar installation video.



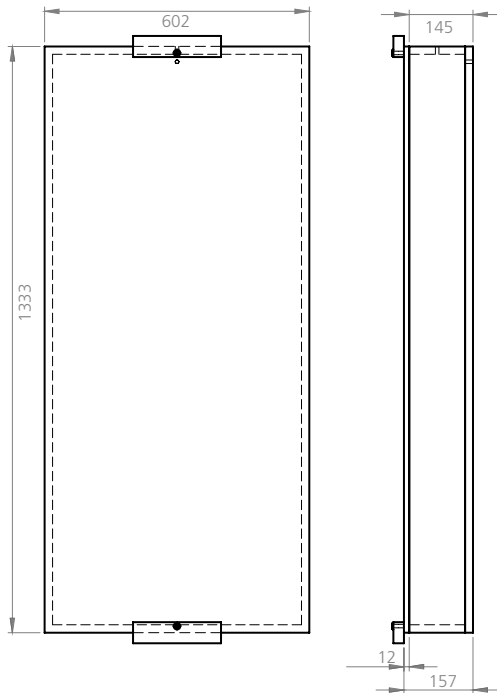
Warranty period

Cerasonar grants a 5-year functional warranty on speakers if the installation and setup protocol has been signed and registered with us. A cerasonar protection unit or the cs-500dsp4 amp with the respective preset is mandatory. Improper use or overloading may void the warranty.





Accessories

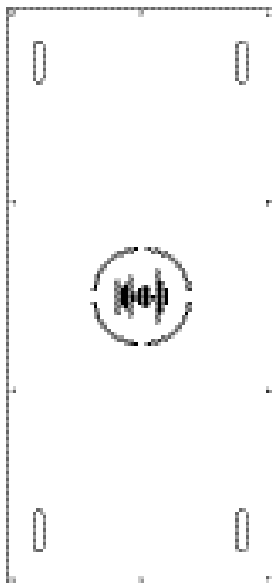


cerasonar frame 13362

These frames allow the installation of our invisible loudspeakers into solid wall or ceiling constructions. The frame of plywood is installed into a created niche. The installation material includes the insulating material as a part of the delivered package. Can be used for in situ concrete construction as well.

Dimensions

Size	133,5 x 62,2 x 145 cm
Installation cut out	135,5 x 64 x 165 cm
Weight	8,2 kg



cerasonar placeholder 13362

The cerasonar placeholder is ideal for new buildings where the position of the loudspeaker should already be indicated before installation. The placeholders are slightly larger, so that the installation of the loudspeakers works smoothly.

Dimensions

Size	133,5 x 62,2 x 0,6 cm
------	-----------------------



cerasonar cs-500dsp4

Amplifiers are an important foundation of any audio system. Our cs-500dsp4 comes with predefined presets for the respective cerasonar speakers, which can be configured with any modern web browser. Our amplifier model becomes the ideal partner for multiroom audio projects, which can be controlled by the system pioneer control4, for example. The cs-500dsp4 has 4 amplifier channels with 125 watts each into 4 and 8 ohms (or 2x 250 watts bridged). The amplifier can also be operated in 70V/100V mode. Up to 2 units fit in 1U (19"). The adapter plates for 19" installation as well as input adapter Phoenix to RCA are included.

Dimensions

Size	245 x 215 x 45 / (50mm including bumper)
------	--

cerasonar cs-500dsp4



The ideal complement for every cerasonar loudspeaker. The cerasonar CS-500DSP-4 is a 4-channel DSP amplifier that convinces with its performance and compact dimensions. A preset can be selected for our cerasonar loudspeakers to ensure optimal sound in any room. The digital overload protection guarantees operational safety.

The power output is 125 watts per channel into 4 and 8 ohms, furthermore the amplifier can also be used for 70/100V applications. There are 4 balanced inputs, the RCA adapters included in the package can be used for up to two stereo RCA inputs. If the default standby automatic is not desired, the amplifier can also be switched on and off by 12V trigger. Control via Control4 is possible as well.

The amplifier connects to the network via LAN and can be configured locally from any internet browser, no additional PC software is necessary. Adapters are included for installation in a 19" rack. One or two amplifiers per 1U can be installed. The amplifier is also suitable for stand-alone use, as it is passively cooled and does not cause any disturbing noise. In the configuration interface the fine tuning of the loudspeakers can be done (max. power limit, DSP filter, volume) and the input channels can be assigned to the output channels via matrix.

Technical specification

Amplifier Output power	4x 125 W @ 4/8 Ohm 2x 250 W @ 8 Ohm (bridged) 2x 250 W @ 70/100V
DSP	28-/56-BIT, 50 MIPS High pass filter 3x DSP filters per channel 4x4 Input matrix Power limitation
Network	10/100M LAN
Input voltage	115 V or 230 V (automatically)
Total dimensions	215 x 44 x 240 mm
Weight	2 kg
Delivery content	<ul style="list-style-type: none"> • CINCH ADAPTER • Input adapter Phoenix to Cinch • VARIOUS 19" MOUNTING BRACKETS • Adapter for 19" rack mounting (1x amplifier in 1U) • Adapter for 19" rack mounting (2x amplifier in 1U) • POWER CABLE

Warranty period

Cerasonar grants a 5-year functional warranty on speakers if the installation and setup protocol has been signed and registered with us. A cerasonar protection unit or the cs-500dsp4 amp with the respective preset is mandatory. Improper use or overloading may void the warranty.



Installation Video:

Scan the QR code with your telephone to show the cerasonar installation video.

